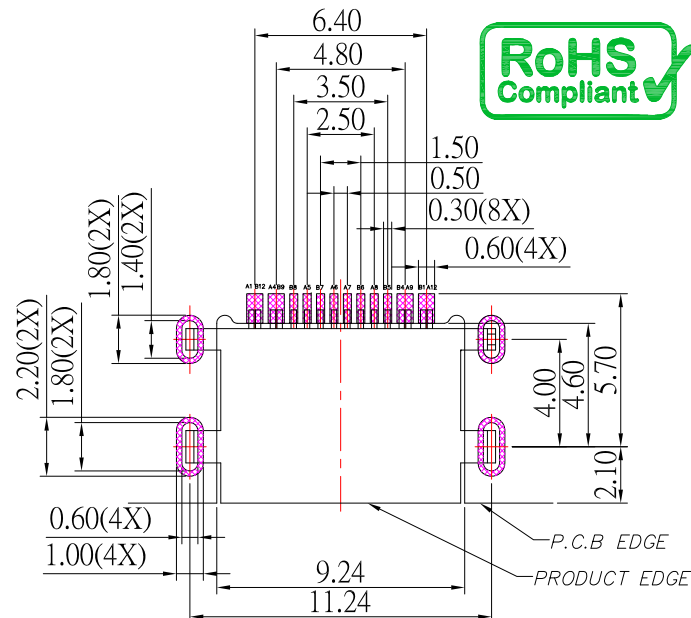
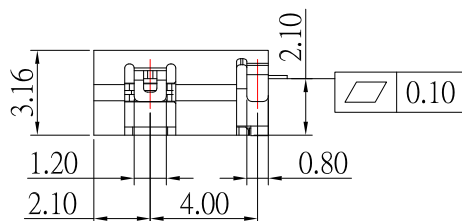
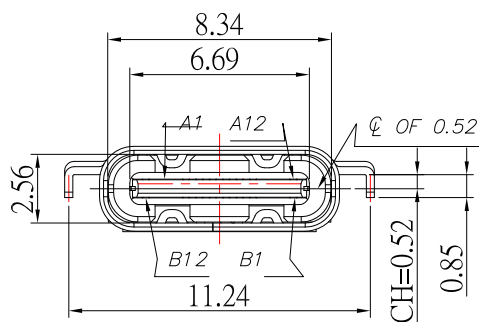
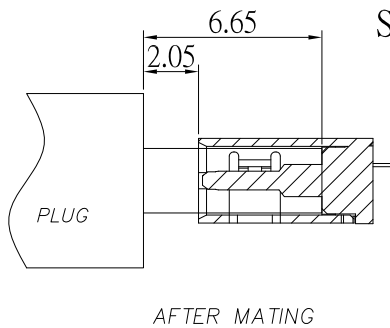
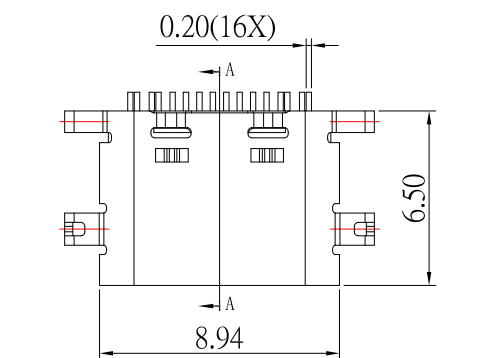




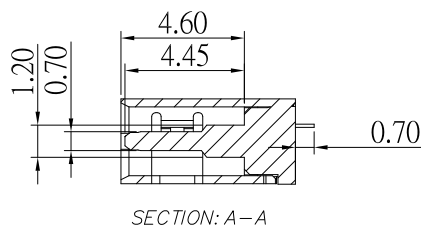
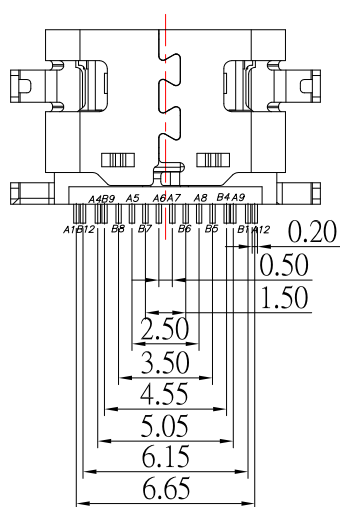
SBC-160M8H-20x-S332

鍍層厚度:

| | |
|-------|--------|
| Blank | : 1u" |
| 2 | : 15u" |
| 3 | : 30u" |



RECOMMENDED PCB LAYOUT



USB TYPE-C PIN ASSIGNMENTS

| PIN NUMBER | SIGNAL NAME | PIN NUMBER | SIGNAL NAME |
|------------|-------------|------------|-------------|
| A1 | GND | B12 | GND |
| A4 | VBUS | B9 | VBUS |
| A5 | CC1 | B8 | SBU2 |
| A6 | Dp1 | B7 | Dn2 |
| A7 | Dn1 | B6 | Dp2 |
| A8 | SBU1 | B5 | CC2 |
| A9 | VBUS | B4 | VBUS |
| A12 | GND | B1 | GND |

SPECIFICATIONS

Electrical:

1. Rating: 5.0V, 5.0 A
2. Contact Resistance: 40 mΩ Max
3. Insulation Resistance: 100 MΩ Min

Mechanical:

1. Connector Mate and Unmate Force
 - 1.1 Mate force: 5~20 N
 - 1.2 Unmate force: 8~20 N

Material:

1. Housing: PA9T
2. Contact: C1814
3. Shell: SUS

Finish:

1. Contact: Plated Gold in Mating Area ;
Gold Plated on Solder Balls ;
Nickel under plated overall
2. Shell: Nickel under Plated surface layer

CONTACT 建倚科技股份有限公司
CONTACT TECHNOLOGY CORP.

TOLERANCE UNLESS OTHERWISE STATED:

Up to 5 ±0.2
Above 5 ~ 15 ±0.3
Above 15 ~ 30 ±0.4
Above 30 ~ 50 ±0.5
Angle ±0.3°

3RD. ANGEL'S



UNITS MM

| | | | | |
|--------------|----------|-----------|----------|-------------------------|
| DRAWN BY: | DATE | MAT'L | TITLE | CONNECTOR |
| Jack Lu | 11/01/23 | | | |
| CHECKED BY: | DATE | FINISH | MODLE | USB TYPE C 2.0 沉板 2.1mm |
| Jacky Chen | 11/01/23 | | | |
| APPROVED BY: | DATE | SCALE | DWG NO. | SBC-160M8H-20x-S332 |
| Tony Kao | 11/01/23 | 1 : 1 | PART NO. | SBC-160M8H-20x-S332 |
| | | SHEET NO. | 1 of 1 | SIZE A4 |
| | | | | VER R2 |

| ITEM NO. | DESCRIPTION | DRAWN | DATE |
|----------|-------------|-------|--------|
| 2 | 更新料號 | Jack | 110123 |
| 1 | 刪除尺寸 | Jack | 100523 |